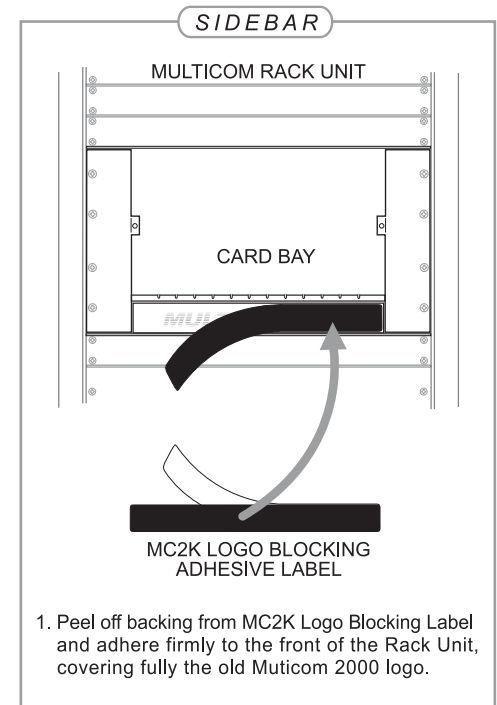
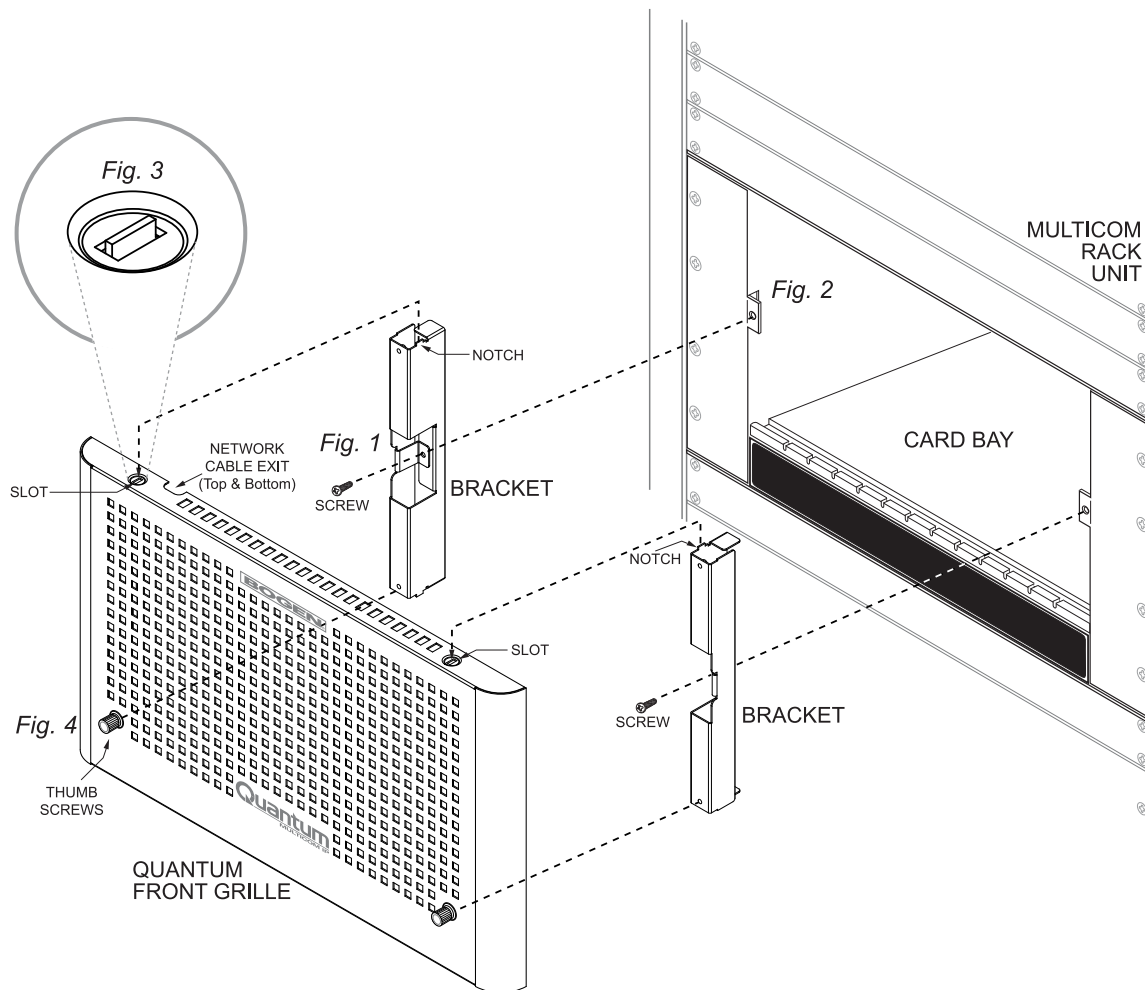


## Rack System Grille Installation Instructions

### INSTALLATION INSTRUCTIONS

1. Unscrew and remove existing Multicom Rack Unit card cage cover.  
Apply MC2K Logo Blocking Label (see sidebar).
2. Using screws from old cover, thread screws through BRACKETS as shown (see Fig. 1) and attach each to the front of Rack Unit Card Cage (see Fig. 2).
3. Position QUANTUM FRONT GRILLE over each newly fastened bracket and allow NOTCH on top of each bracket to be inserted into SLOTS on top of the grille (see Fig. 3).
4. Using attached THUMB SCREWS on face of grille, screw the Quantum Grille to the brackets (see Fig. 4).



**BOGEN**

50 Spring Street, Ramsey, NJ 07446, U.S.A.  
Tel. 201-934-8500 • Fax: 201-934-9832  
www.bogen.com

© Specifications subject to change without notice.  
© 2007 Bogen Communications, Inc.  
Part No. 54-7893-01A Printed in U.S.A. 0704